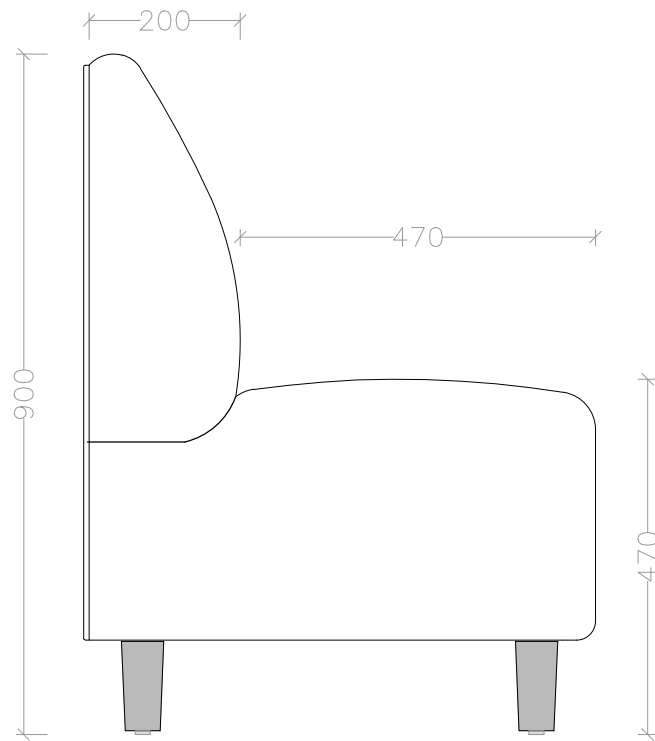
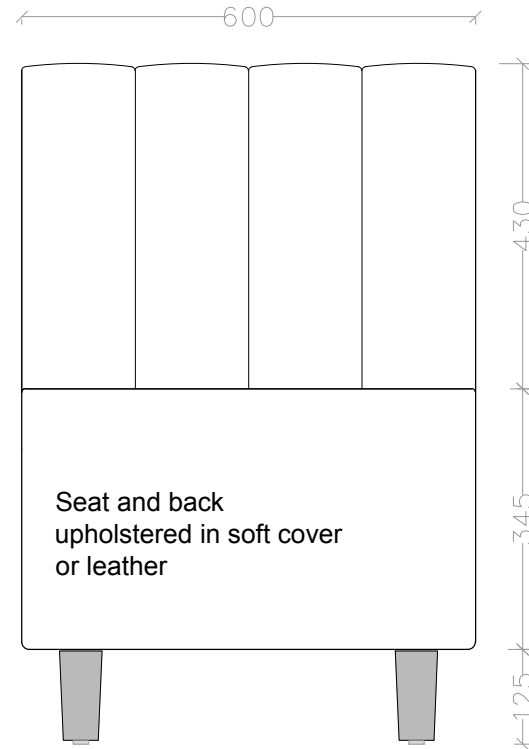


### Section



### Section

### Elevation



### 1200mm wide unit