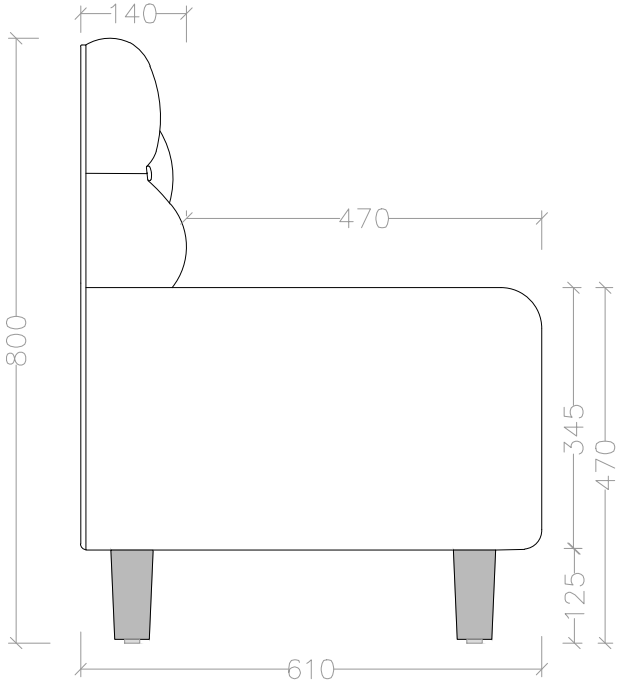
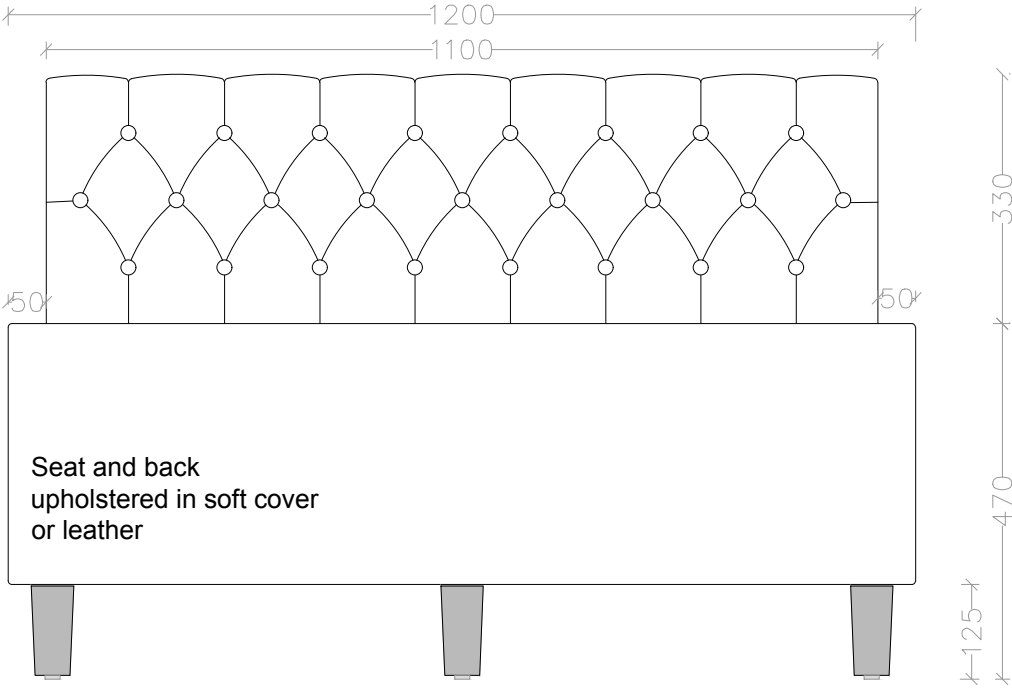


Section



Elevation



1200mm wide unit