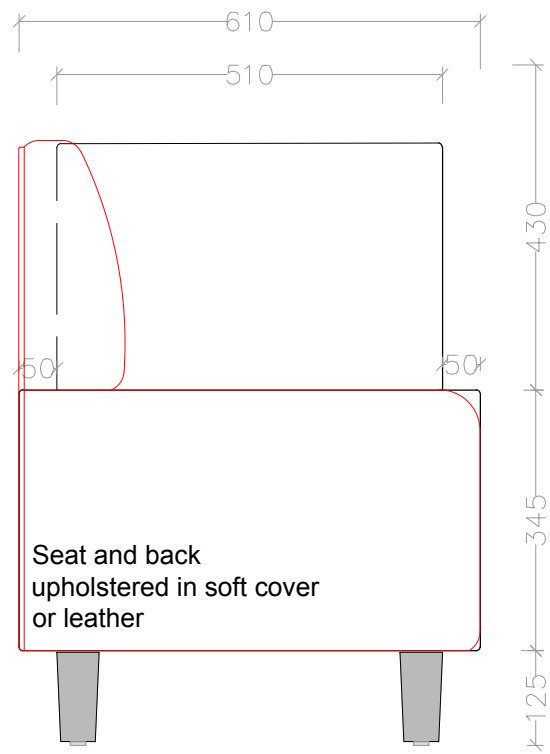
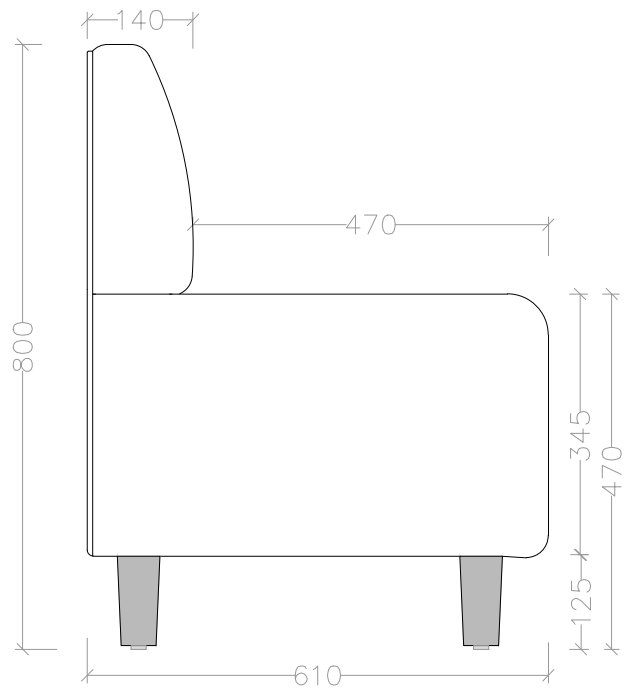


## Section



610mm wide unit