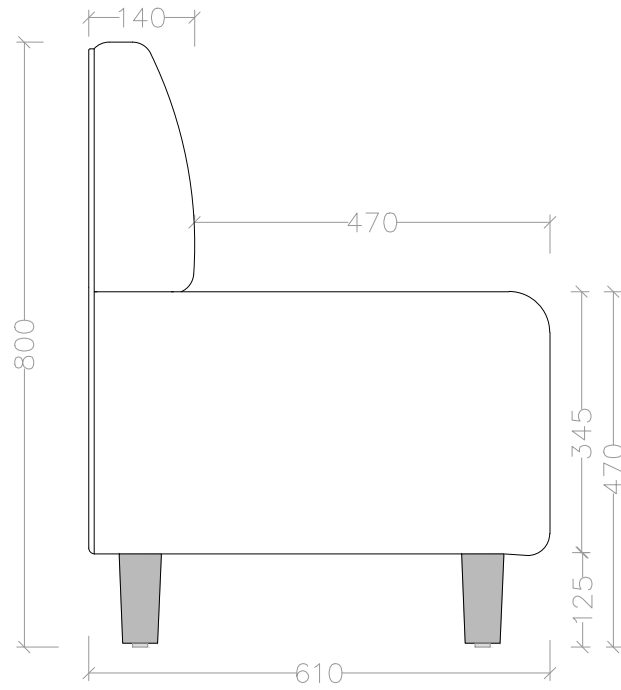
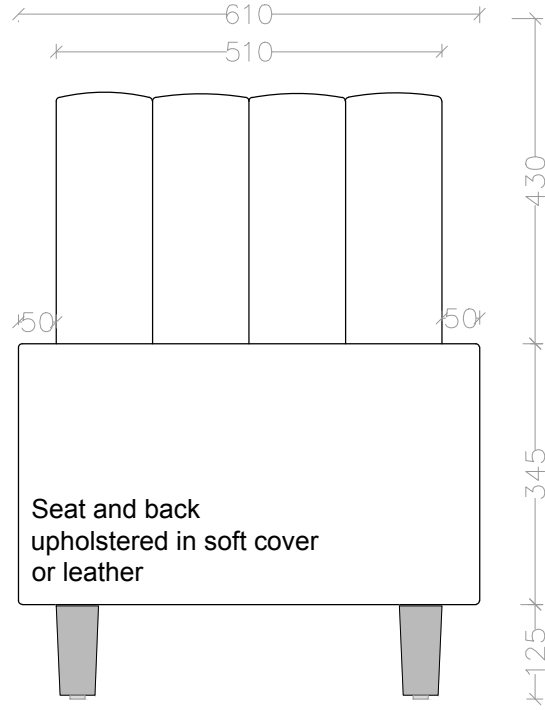


### Section



### Elevation



610mm wide unit